



Tanco Autowrap 280
Spare parts list



280ARC
PARTS LIST
WD66-280-M0304



SPARE PARTS LIST

We recommend that when you need spare parts, you should use only original parts.

When ordering spare Parts use the following:

- Drawings are marked with a position number.
- On the accompanying table you will find the position number, its equivalent part number and description. The entire part number and description must always be relayed on ordering.
- **IMPORTANT!**
When ordering always give the serial number on the wrapping machine and specify the Model of Machine.
- We ask that you fax your parts order to your Tanco dealer, to ensure quick delivery

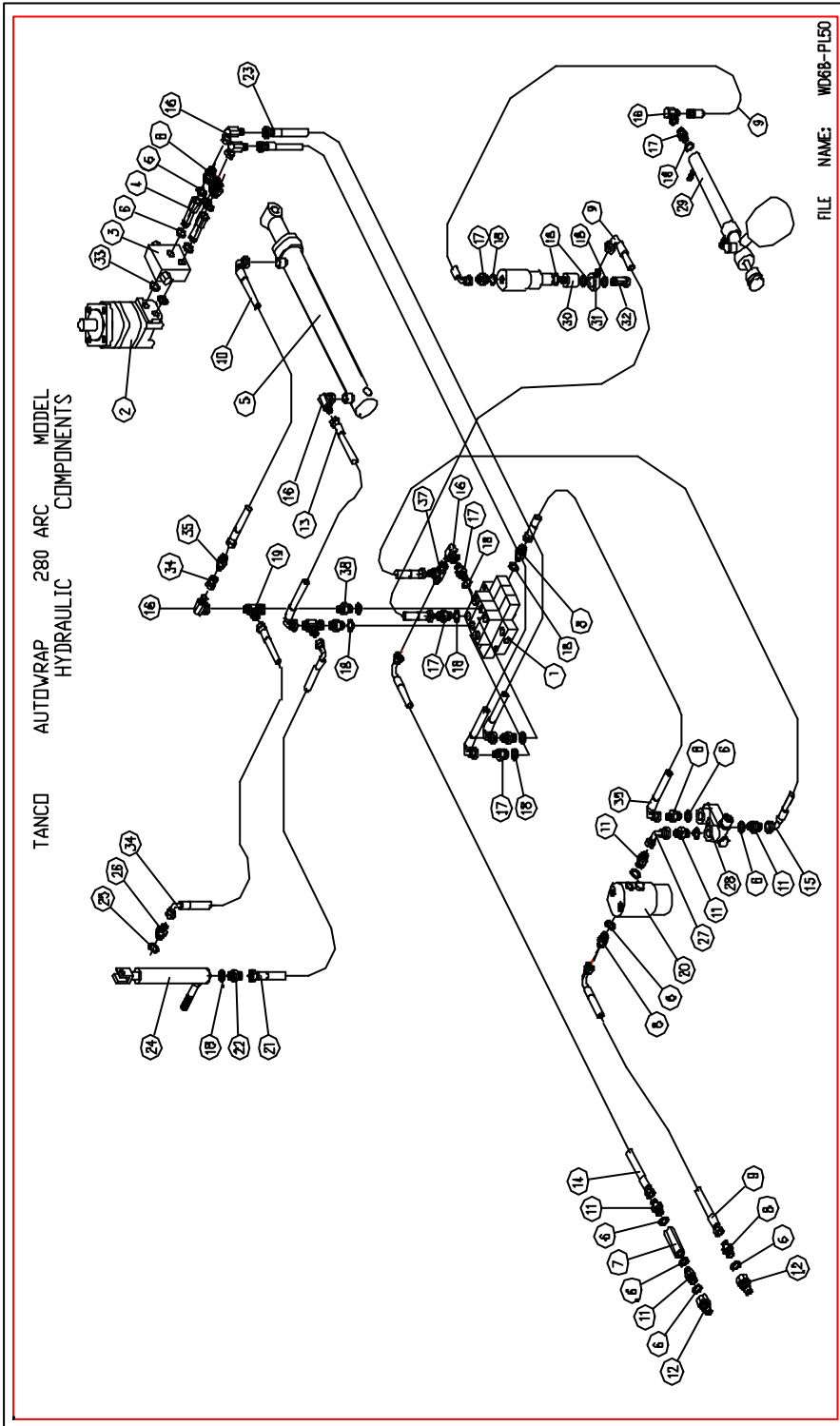


TABLE OF CONTENTS

	<u>Page:</u>
1. Hydraulics	
1. Hydraulic Components	
1.1.1 280ARC Exploded View	4
1.1.2 Parts List	5
1.2.1 Solenoid Valve & Junction Box Mtg.	6
1.2.2 Parts List	7
2. Main Assembly	
2.1.1 Main Assembly Exploded View	8
2.1.2. Part List	9,10
2.1.3 Table Locking Assembly and Parts List	11
2.2.1 Roller Drive Assembly exploded View	12
2.2.2 Part List	13
2.3.1. Turntable Drive Assembly Exploded View	14
2.3.2. Parts List	15
3. Cut and Start Assembly	
3.1. Exploded View	16
3.2. List	17
4. Lighting	
4.1. Exploded View and Parts List	18
5. Film Dispenser	
5.1.1. Dispenser Mast Assembly Exploded View	20
5.1.2 Parts List	21
5.2.1 Dispenser Insert Assembly Exploded View	22
5.2.2. Parts List	23
6. Controller	
6.1 Sensors and Mounting Brackets Exploded View and Parts List	24
6.2 280ARC Controller Exploded View and Parts List	25
6.3 280ARC junction Box	26



1.1.1 Hydraulic Components 280ARC



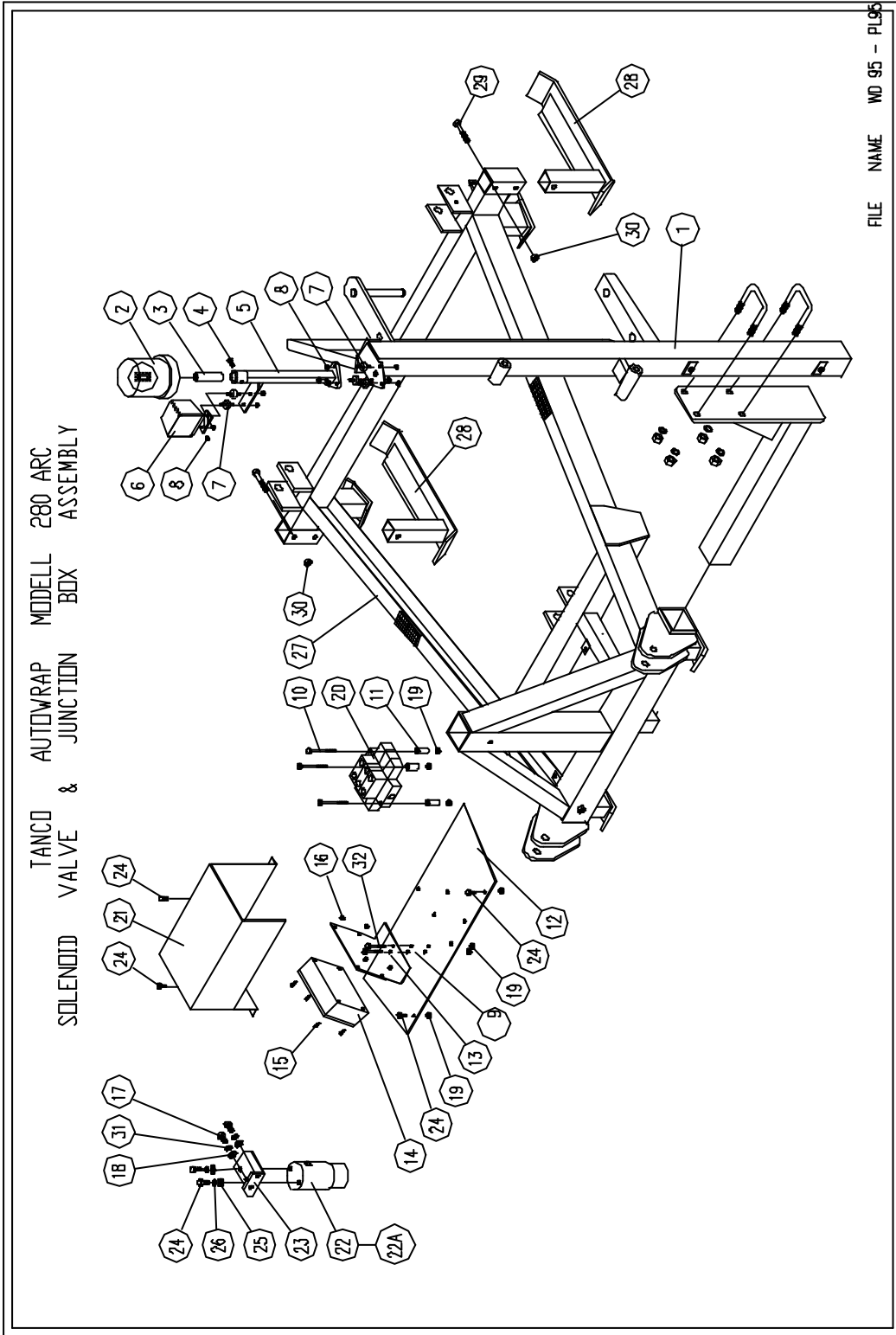


1.1.2 280ARC HYDRAULIC COMPONENTS

ITEM No.	DESCRIPTION	QTY	PART No.
1.	3 Bank Solenoid Valve	1	Z01-03-A250
2.	Hydraulic Motor	1	Z01-02-RF200
2A.	Seal Kit for above Hydraulic Motor	1	Z01-RF200
3.	Cross line Relief Valve	1	Z01-03-004
3A.	Seal Kit for above Cross Line Relief Valve	1	Z01-03-004-RF
4.	½” BSP Bottom Banjo Bolt	2	Z01-03-002B
5.	Hydraulic Ram (Tipping Frame)	1	Z01-01AR687
5A.	Seal Kit for above ram	1	Z01-Z01
6.	½” Dowty Washer	12	Z01-04-03
7.	½” Non Return Valve	1	Z01-03-017
8.	½” x 3/8” Adaptor	4	Z01-06-06-08
9.	84” St./90 3/8” D/W Hose	1	Z38-R2-84-S9
10.	48” St./90 3/8” D/W Hose	1	Z38-R2-48-S9
11.	½” x ½” Adaptor	2	Z01-06-08-08
12.	½” Male Q/R Coupling	2	Z01-15-081
13.	36” St. / 90 3/8” D/W Hose	1	Z38-R2-36-S9
14.	108” St. / 90 1/2” D/W Hose	1	Z12-R2-108-S9
15.	24” St. / 90 1/2” D/W Hose	1	Z12-R2-24-S9
16.	3/8” Male/Female 90 Elbow	6	Z01-14-015
17.	3/8” x 3/8” Adaptor	9	Z01-06-06-06
18.	3/8” Dowty Washer	13	Z01-04-02
19.	3/8” Male/Male/Female “T” Piece	3	Z01-12-002
20.	Filter	1	Z01-24-08
20A.	Filter Element	1	Z01-24-08E
21.	60” St. / 90 3/8” D/W Hose	1	Z38-R2-60-S9
22.	3/8” x 3/8” Adaptor Restrictor 0.006”	1	Z01-03-40
23.	96” St. / 90 3/8” D/W Hose	2	Z38-R2-96-S9
24.	Hydraulic Ram (Pull Down)	1	Z01-01-AW25
24A.	Seal Kit for above Ram	1	Z01-AW25
25.	1/4” Dowty Washer	1	Z01-04-01
26.	¼” x 3/8” Adaptor	1	Z01-06-04-06
27.	½” Female/Female 90 Elbow	1	Z01-14-018
28.	Inline Flow Divider	1	Z01-03-10-A6
29.	Hydraulic Ram (Cut & Start)	1	Z01-01-AWH9
29A.	Seal Kit for above Ram	1	Z01-AWH
29B	Accumulator fitted to above Ram	1	Z01-01-AWV
30.	Rotary Coupling	1	Z01-02-AWR
31.	3/8” Banjo Coupling	1	Z01-19-062
32.	Single top Banjo Bolt	1	Z01-20-062
33.	Copper Washer	2	Z01-04-15
34.	72” St. / 90 3/8” D/W Hose	1	Z38-R2-72-S9
35.	48” St. / St. 3/8” D/W Hose	1	Z38-R2-36-SS
36.	1/2” Male/Female 90 Elbow	1	Z01-14-016
37.	3/8” Male/Male/Female “T” Piece	1	Z01-12-003
38.	3/8” x 3/8” Adaptor Restrictor 2mm	1	Z01-03-80



Tanco Autowrap 280
Spare parts list



TANCO AUTOWRAP 280 ARC ASSEMBLY
 VALVE & JUNCTION BOX

FILE NAME WD 95 - P106



1.2.2

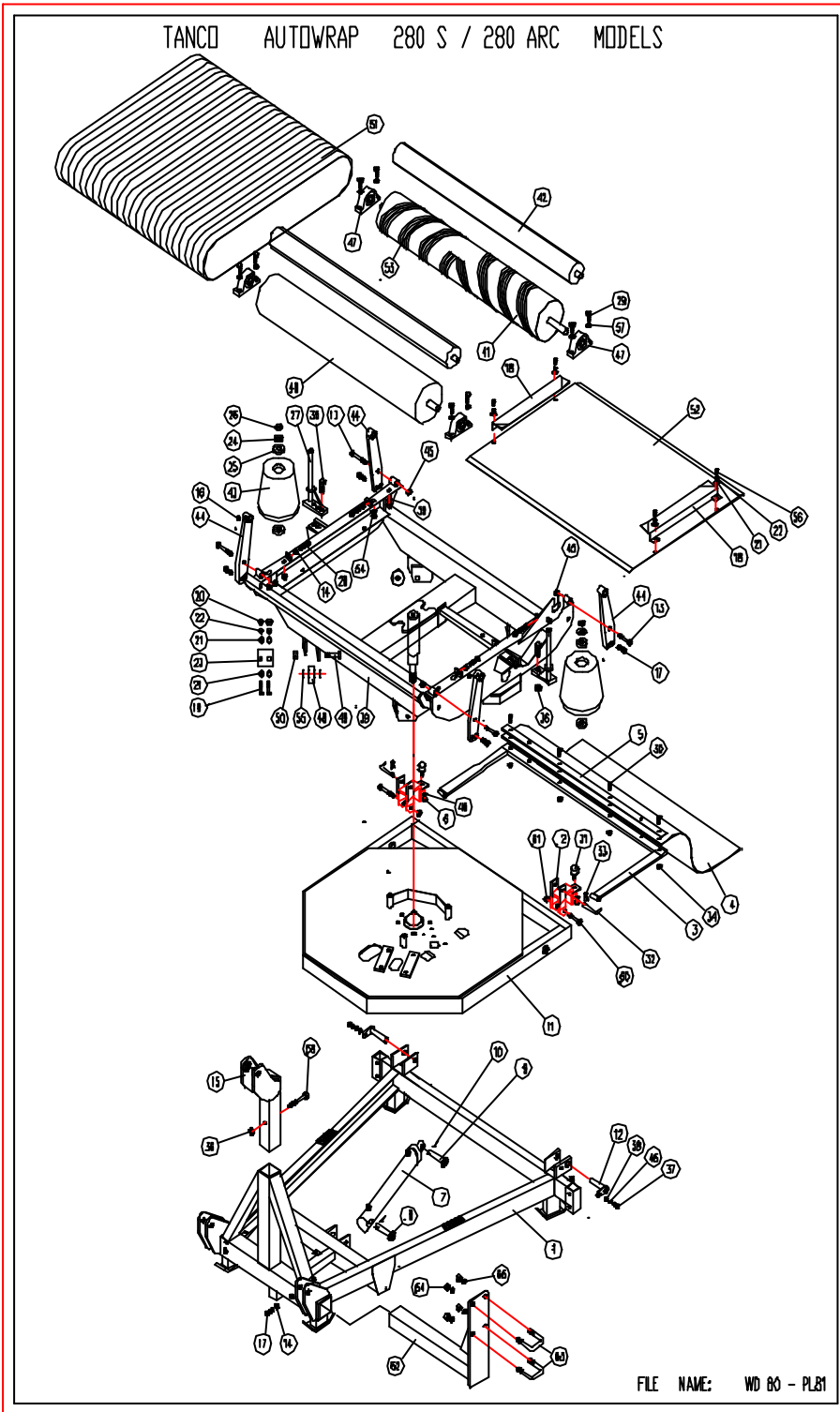
WD95-PL95

**TANCO AUTOWRAP 280ARC
SOLENOID VALVE & JUNCTION BOX ASS.
PARTS LIST**

ITEM No.	DESCRIPTION	QTY	PART No.
1.	Dispenser Mast	1	WD90-DM
2	Rotating Beacon	1	Z05-15
3	Stem c/w Cable	1	Z05-181
4	M8 x 10 Grub Screw	1	Z28-008
5	Beacon Mounting Bracket	1	WD90-BMB
6	RDS R/C Receiver	1	1109003
7	Rubber Buffer	5	Z40-27
8	M8 Locknut	10	Z23-06
10	M8 x 100 Set	3	Z26-057S
11	Spacer for Valve	3	WD67-100
12	Valve Mounting Plate	1	WD63-1027
13	Junction Box Mounting Bracket	1	1001001
14	Junction Box	1	1009001
16	M4 Locknut	4	Z23-04
17	M10 x 25 Hex Set	2	Z26-0611S
18	10mm Flat Washer	2	Z10-02-10
19	M8 Locknut	8	Z23-08
20	3 Bank Solenoid Valve	1	Z01-02-A250
21	Valve and Junction Box Cover	1	WD63-UC
22	Oil Filter	1	Z01-24-08
22A	Oil Filter Element	1	Z01-24-08E
23	Filter Mounting Bracket	1	WD63-1053
24	M8 x 25 Hex Set	8	Z26-040S
25	8mm Flat Washer	2	Z10-02-08
26	8mm Spring Washer	2	Z12-02-08
27	3Pt. Linkage Frame	1	WD63-MF1
28	Stabilising Leg Assy.	2	WD63-SLA
29	M12 x 80 Hex Bolt	2	Z26-0901B
30	M12 Locknut	2	Z23-12



2.1.1 Main Assembly





2.1.2 MAIN ASSEMBLY 280ARC

ITEM No.	DESCRIPTION	QTY	PART No.
1.	3 Point Linkage Chassis Assembly	1	WD63-MFI
2.	Mat Mounting Bracket	1	WD67-MMB
3.	Rubber Mat Mounting Frame	1	WD63-MMF
4.	Rubber Mat	1	Z05-02AM
5.	Clamping Plate	1	WD63-1300
6.	M10 Hex Nut	2	Z18-10
7.	Hydraulic Ram	1	Z01-01-AR687
8.	Ram Bottom Pivot Pin	1	Z03-02-330
9.	Ram Top Pivot Pin	1	Z03-03-50
10.	2" x 1/4" Split Pin	2	Z03-21-29
11.	Tipping Frame Assembly	1	WD67-TF
12.	Tipping Frame Pivot Pin c/w Grease Nipple Grease Nipple	2	Z03-01-905 Z39-60
13.	M12 x 80 Hex Bolt	4	Z26-0901B
14.	M12 Hex Nut	8	Z18-12
15.	Top Link Mounting Bracket	1	WD610-TLB2
16.	1/8" BSP St. Grease Nipple	4	Z39-60
17.	M12 X 40 Hex Set	4	Z26-084S
18.	Belt Guide Assembly	2	WD66-BG
19.	M8 x 25 Hex Set	4	Z26-040S
20.	M8 Hex Nut	8	Z18-08
21.	8mm Mud Flap Washer	16	Z11-02-081
22.	8mm Spring Washer	8	Z12-02-08
23.	Scraper	2	WD60-771
24.	Thrust Washer	2	WD60-292
25.	Bearing (6305 2RS)	4	Z06-AWRB-93
26.	Circlip	2	Z28-525
27.	End Roller Mounting Bracket	2	WD66-ERM
28.	M12 x 60 Hex Set	4	Z26-088S
29.	M14 x 50 Hex Bolt	8	Z26-104B
30.	M8 x 50 Hex Bolt	4	Z26-045B
31.	Buffer 56mm dia. X 40 long	2	Z40-20
32.	Bissel Pin	2	Z03-22-AW100
33.	4mm "R" Clip	2	Z36-02
34.	M8 Locknut	4	Z23-08
35.	M16 x 60 Hex Set	4	Z26-126S



2.1.2 MAIN ASSEMBLY 280ARC

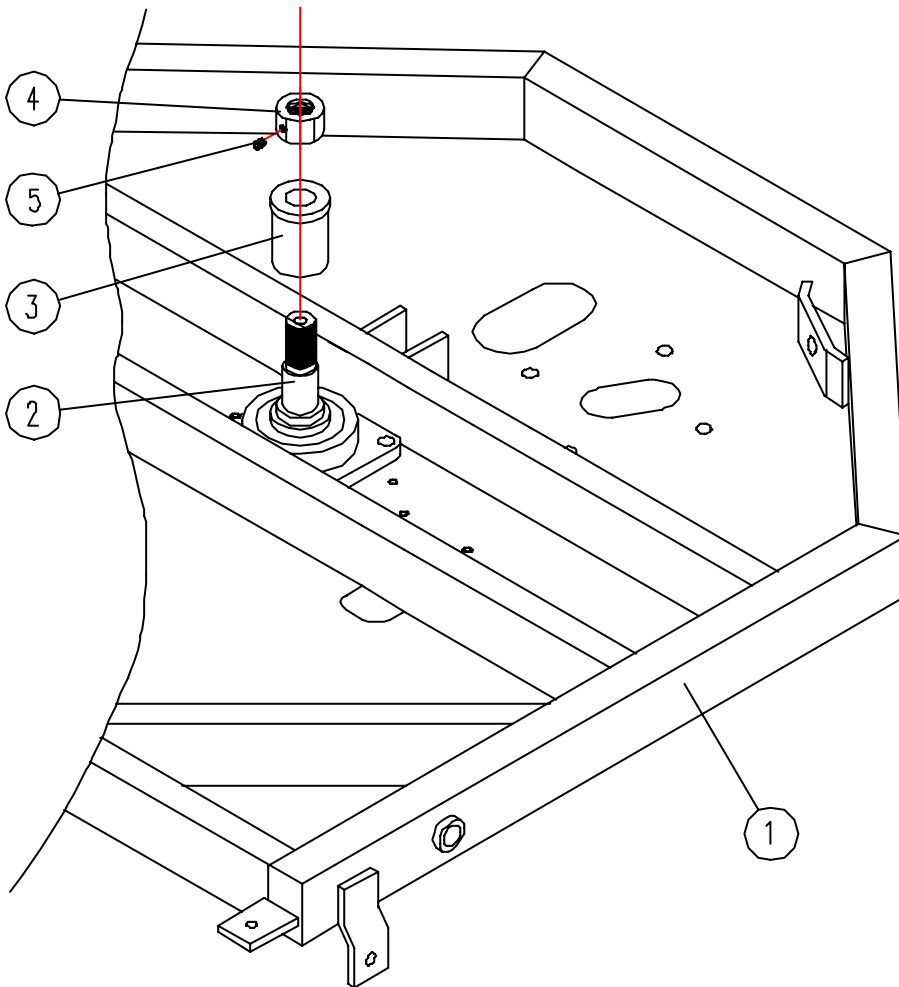
ITEM No.	DESCRIPTION	QTY	PART No.
36.	M16 Locknut	3	Z23-16
37.	M10 x 25 Hex Set	2	Z26-061S
38.	10mm Flat Washer	2	Z11-02-10
39.	Turntable Assembly	1	WD67-TA
40.	Roller Assembly (Idler)	1	WD66-BRI
41.	Roller Assembly (Drive)	1	WD66-BRD
42.	Roller Assembly	2	WD66- SMR
43.	End Roller	2	Z06-AWR
44.	Roller Mounting Bracket	2	WD66-RMB1
45.	M12 Lock Nut	9	Z23-12
46.	10mm Spring Washer	5	Z12-02-10
47.	1 ¼" Pillow Block Bearing c/w Cam Lock	4	Z06-485
48.	Support Wheels	4	Z06-466W
49.	Axle Assembly c/w Grease Nipple	4	Z03-22-AW/AX Z39-60
50.	M20 Locknut	4	Z23-20
51.	6mm Flat Belt 1200mm Wide x 2475 Long	1	Z05-02AW96
52.	Turntable Cover Plate	1	WD66-024
53.	Grip face kit	1	Z05-02AW49
54.	M14 Hex Nut	8	Z18-14
55.	Spacer	8	WD67-101
56.	M8 x 30 Hex Set	4	Z26-041S
57.	14mm Flat Washer	8	Z11-02-14
58.	M16 x 120 Hex Bolt	1	Z26-134B
59.	14mm Spring Washer	8	Z12-02-14
60.	M10 x 90 Hex Bolt	2	Z26-070B
61.	M10 Locknut	2	Z23-10
62.	Dispenser Mast Mounting Bracket	1	WD63-DMM2
63.	"U" Bolt (M16)	2	Z35-52
64.	M16 Hex Nut	4	Z18-16
65.	16mm Spring Washer	4	Z12-02-16
66.	Roller Mounting Bracket	2	WD66-RMB2



2.1.3 TABLE LOCKING ARRANGEMENT

ITEM No.	DESCRIPTION	QTY	PART No.
1.	Tipping Frame (underside view)	1	WD67-TF
2.	Turntable Centre Shaft	1	WD67-017
3.	Spindle Spacer	1	WD67-SS
4.	1 ¼ UNC Retaining Nut	1	WD64-054
5.	M8 x 6 Grub Screw	2	Z28-007

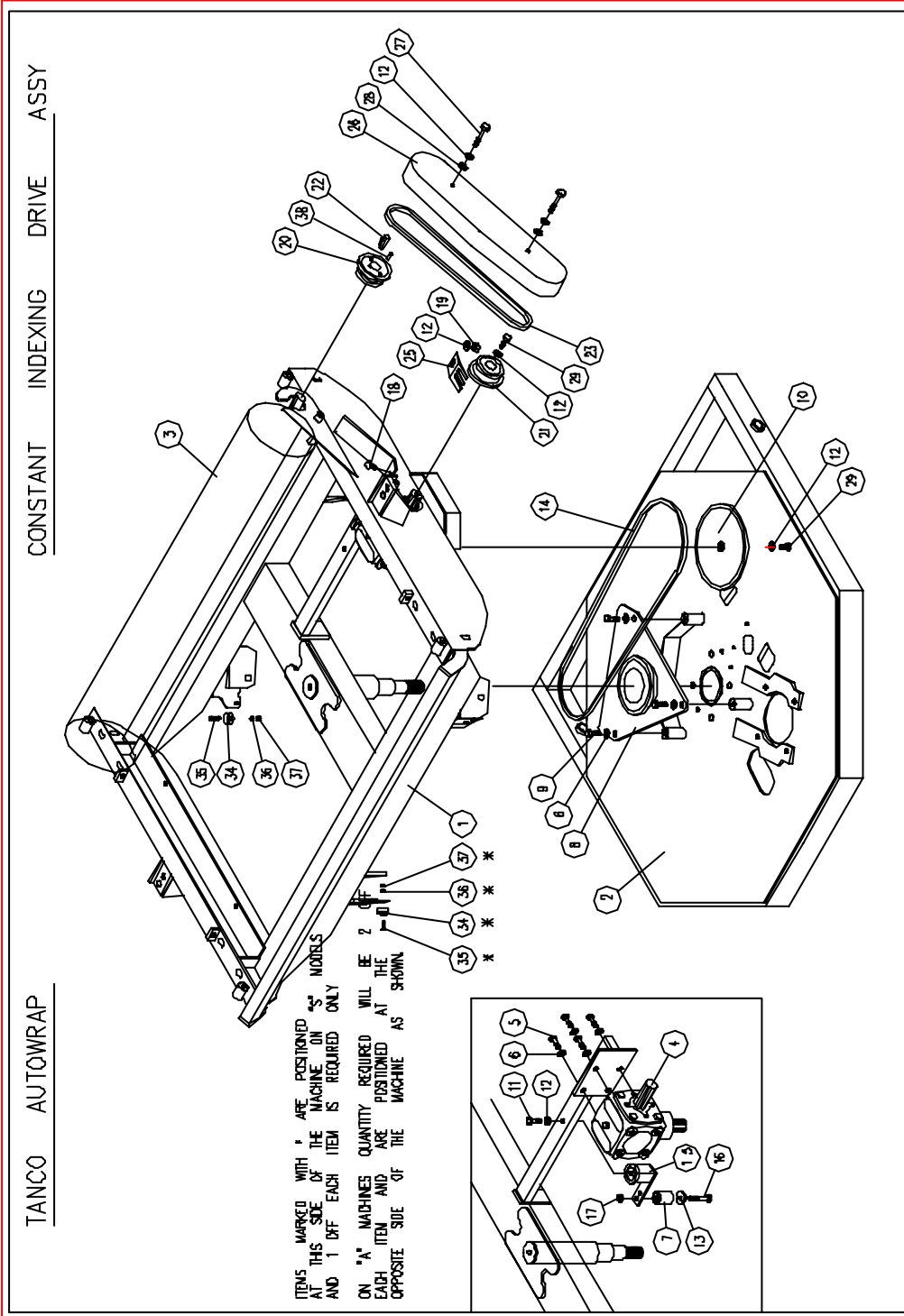
8.1.2



FILE NAME : WD 64 - PL41



2.2.1 Roller Drive assembly





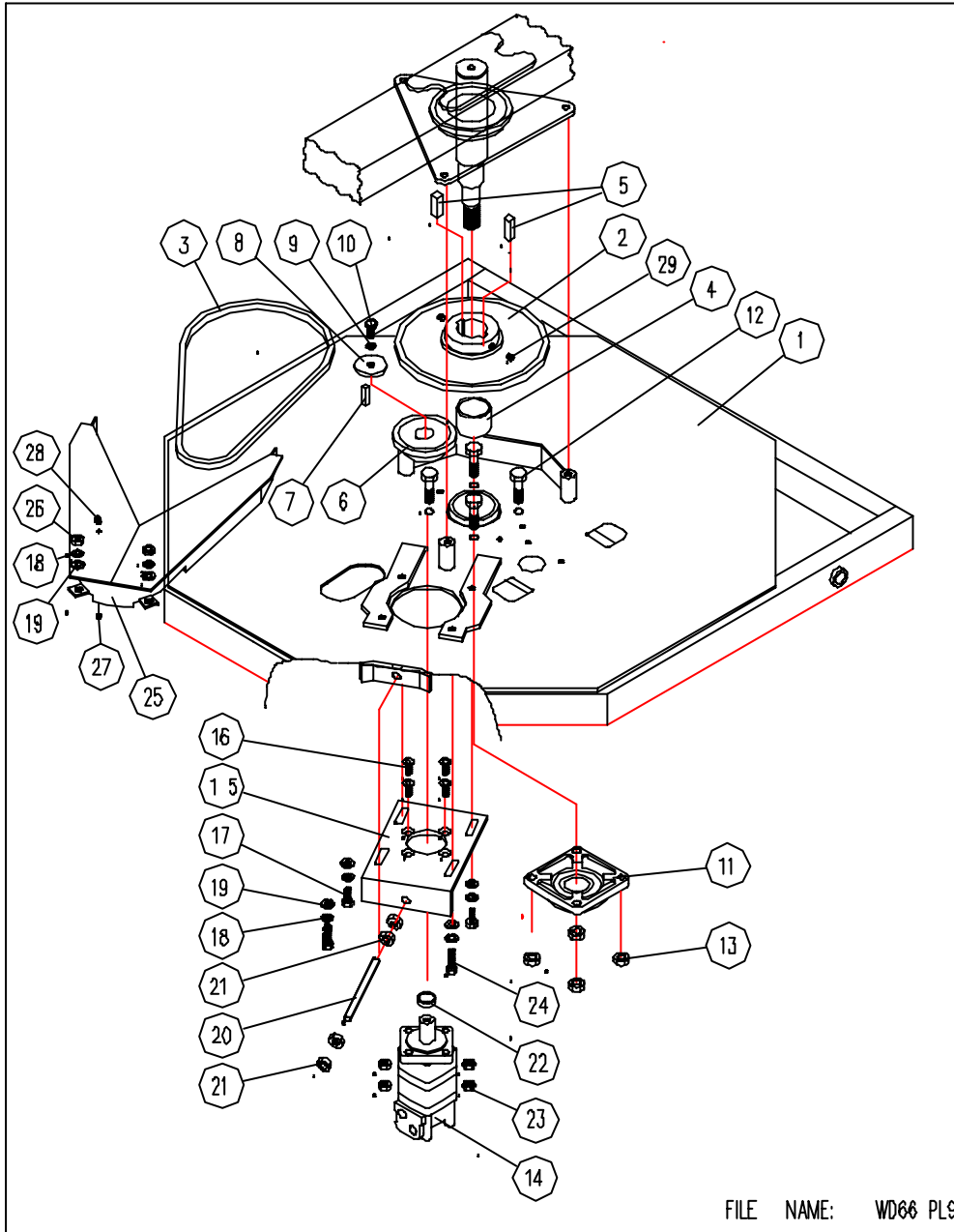
2.2.2 ROLLER DRIVE ASSEMBLY

ITEM No.	DESCRIPTION	QTY	PART No.
1.	Turntable Assembly	1	WD67-TA
2	Tipping Frame Assembly	1	WD67-TF
3.	Drive Roller Assembly	1	WD66-BRD
4.	Gear Box	1	WD-25-300
5A.	Gear Box Seal Kit	1	Z01-25-300S
5B.	Gear Box Shaft, Input (vertical)	1	Z01-25-309
5C.	Gear Box Shaft, Output (horizontal)	1	Z01-25-313
6.	M12 x 30 Hex Set	4	Z26-082S
7.	Chain Tensioner	1	WD60-CT
8.	Centre Sprocket Assembly 27 Tooth	1	WD63-CSA
9.	M12 x 40 Hex Set	3	Z26-084S
10	46 Tooth Sprocket	1	Z06-D64-46S
11	M10 x 50 Hex Bolt	1	Z26-066B
12.	10mm Spring Washer	5	Z12-02-10
13.	Retaining Collar	1	WD623-071
14.	Chain ¾" Pitch x 100 Pitches (inc. Joiner)	1	Z09-AW-56
15.	Rosta Tensioner	1	Z06-454
16.	M10 x 65 Hex. Bolt	1	Z26-0671B
17.	M10 Locknut	1	Z23-10
18.	M10 x 30 CUP Sq. Screw	1	Z13-112
19.	M10 Hex Nut	1	Z18-10
20.	Sprocket Double Simplex 13T/16T Keyed	1	Z06-D64-1316K
21.	Sprocket Double Simplex 13T/16T Splined	1	Z06-D65-1316S
22	Key 5/16" x 5/16" 45mm Long	1	WD64-053
23.	Chain ¾" Pitch x 62 Pitches (inc. Joiner)	1	Z09-AW-3
24.	Spiral Pin, 6 x 20 Din 7344 (or ISO 8748)	2	Z03-23-062
25.	Chain Stripper	1	WD67-127
26.	Chain Guard	1	WD67-CGC
27.	M10 x 70 Hex Bolt	2	Z26-068B
28.	10mm Flat Washer	2	Z10-02-10
29.	M10 x 30 Hex Set	2	Z26-062S
34.	Magnet	2*	ZD605-200
35.	M6 x 35 Csk. Hd. Set	2*	Z13-132
36.	6mm Mud flap Washer	2*	Z11-02-06
37.	M6 Locknut	2*	Z23-06

* On "S" machines the quantity of these items is 1 off



2.3.1 Turntable Chain Drive assembly



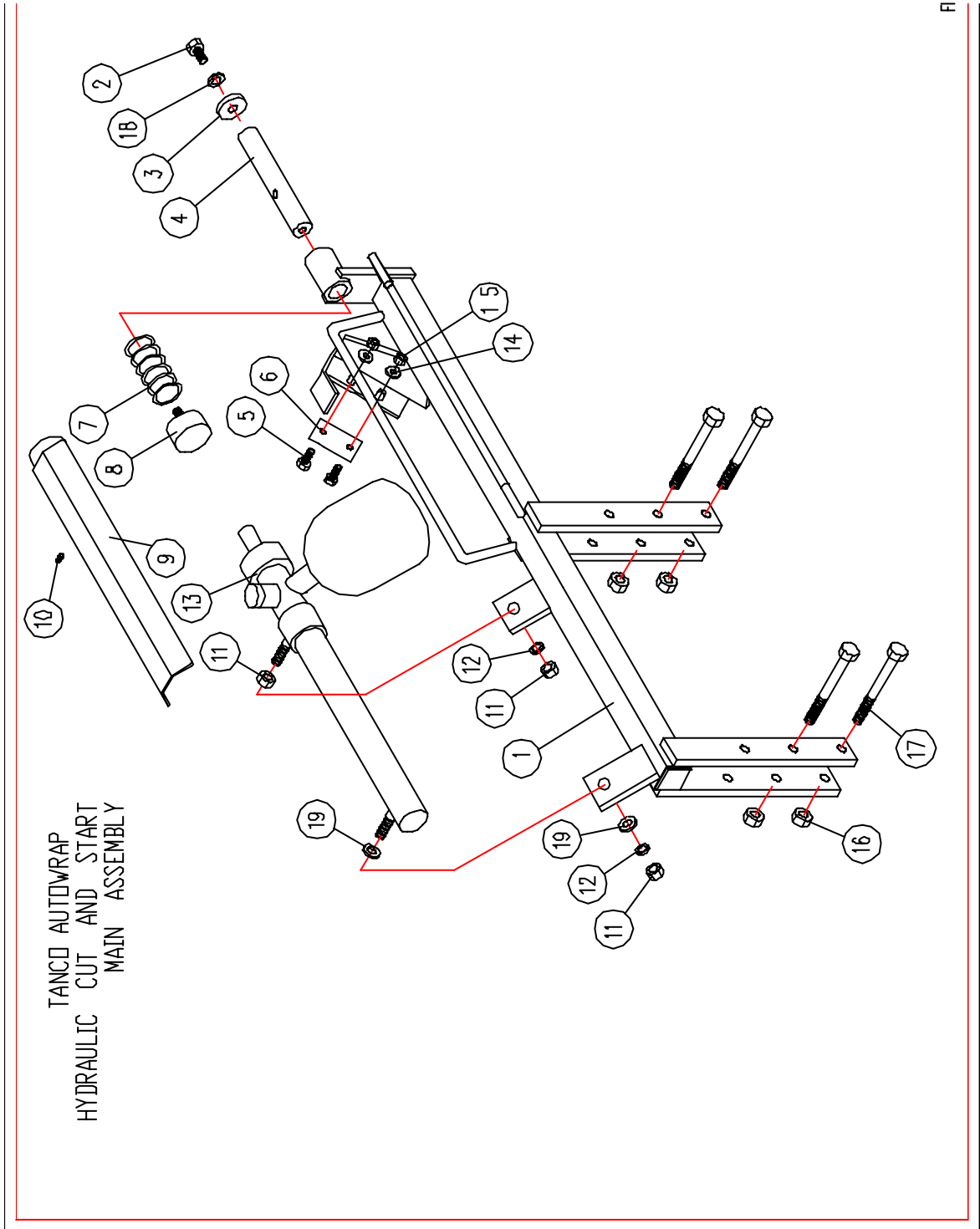


2.3.2 TURNTABLE CHAIN DRIVE ASSEMBLY

ITEM No.	DESCRIPTION	QTY	PART No.
1.	Tipping Frame Assembly	1	WD67-TF
2.	38 Tooth x 1" Pitch Sprocket	1	Z06-D64-38
3.	Chain 1" Pitch x 54 Pitches	1	Z09-AW6
4.	Spindle Spacer	1	WD64-040
5.	Key, 5/8" Sq. x 50mm Long	2	WD64-052
6.	15 Tooth x 1" Pitch Sprocket	1	Z06-I60-046
7.	Key, 5/16" Sq. x 45mm Long	1	WD64-053
8.	Locking Collar	1	WD623-071
9.	10mm Spring Washer	1	Z12-02-10
10.	3/8" x 1" Long UNC Hex Set	1	Z27-023S
11.	2" Flange Bearing c/w Cam Lock Collar	1	Z06-49EC
12.	5/8"x 2" Long UNF Hex Set	1	Z31B-064
13.	5/8" UNF Locknut	4	Z20-10
14.	Hydraulic Motor	1	Z01-02-FR200
15.	Hydraulic Motor Mounting Plate	1	WD64-001
16.	M12 x 50mm Allen Hd. Csk. Set	4	Z13-5-12X50
17.	M12 x 30 Hex Set	2	Z26-082S
18.	12mm Spring Washer	6	Z12-02-12
19.	12mm Flat Washer	6	Z11-02-12
20.	M16 Threaded Bar x 165 Long	1	WD64-038
21.	M16 Hex Nut	4	Z18-16
22.	Spacer	1	Wi60-093
23.	M12 Locknut	4	Z23-12
24.	M12 x 50 Hex Set	2	Z26-086S
25.	Drive Chain Guard	1	WD66-DCG
26.	M12 Hex Nut	2	Z18-12
27.	M6 Hex Nut	1	Z18-06
28.	M6 90 Deg. Grease Nipple	1	Z39-65
29.	M12 Grub Screw	2	Z28-012



3.1 Cut and Start Assembly





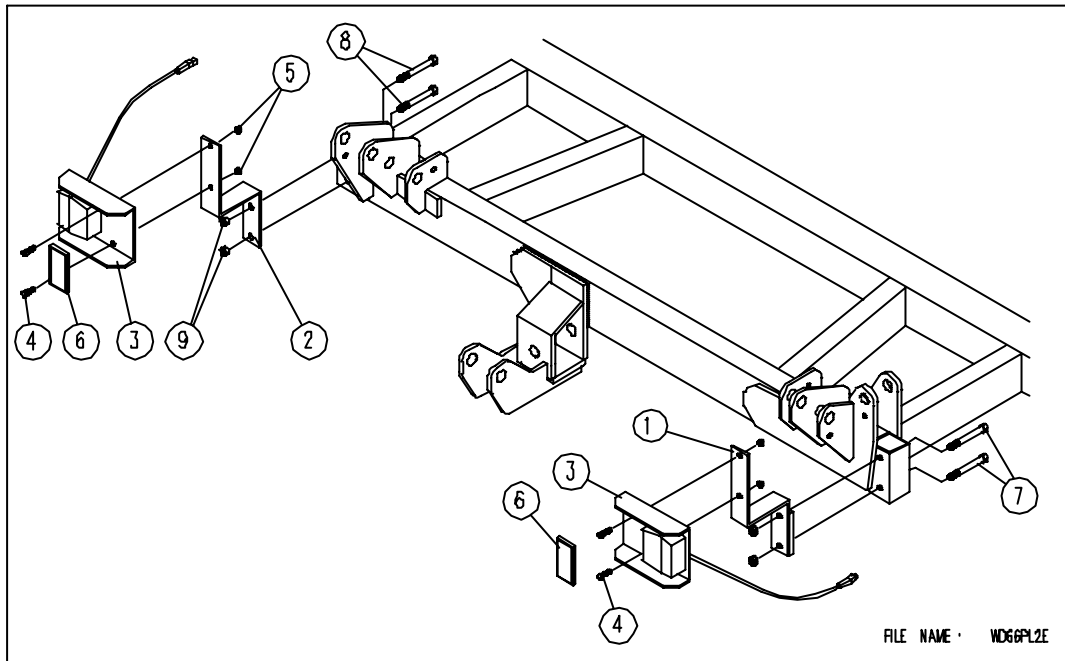
3.2 HYDRAULIC CUT AND START ASSEMBLY

ITEM No.	DESCRIPTION	QTY	PART No.
1.	Hydraulic Cut and Start Main Frame	1	WD605H-MF1
2.	M10 x 25 Hex Set	1	Z26-0611S
3.	Locking Collar	1	WD623-071
4.	Gripper Rod	1	WD605H-13
5.	M8 x 25 Hex Set	2	Z26-040S
6.	Blade	1	WD605-104
7.	Spring	1	Z07-49
8.	Gripper Pad (rubber)	1	Z40-28
9.	Gripper Pad	1	WD605H-15
10.	M8 x 10 Grub Screw	1	Z28-008
11.	M14 Hex Nut	3	Z18-14
12.	14mm Spring Washer	2	Z12-02-14
13.	Hydraulic Ram c/w Accumulator (Cut and Start)	1	Z01-01-AWH9
13A	Hydraulic Ram for above	1	Z01-01-AWH9C
13B	Accumulator for above Ram	1	Z01-01-AWDA
13C	Charging Check Valve for above Ram	1	Z01-01-AWV
14.	8mm Mud Flap Washer	2	Z11-02-081
15.	M8 Locknut	2	Z23-08
16.	M10 Locknut	4	Z23-10
17.	M10 x 75 Hex Bolt	4	Z26-069B
18.	10mm Spring Washer	1	Z12-02-10
19.	14mm Flat Washer	2	Z11-02-14



4.1 LIGHTING KIT

ITEM No.	DESCRIPTION	QTY	PART No.
	Lighting Kit Complete	1	Z05-30
1.	Light Mounting Bracket R.H.S.	1	WD60-LMB
2.	Light Mounting Bracket L.H.S.	1	WD60-899
3.	Light Cluster	2	Z01-30LP
4.	M8 x 25 Hex Set	4	Z26-040S
5.	M8 Locknut	4	Z23-08
6.	Reflector	2	Z04-621
7.	M12 x 100 Hex Bolt	2	Z26-092B
8.	M12 x 90 Hex Bolt	2	Z26-091B
9.	M12 Locknut	4	Z23-12

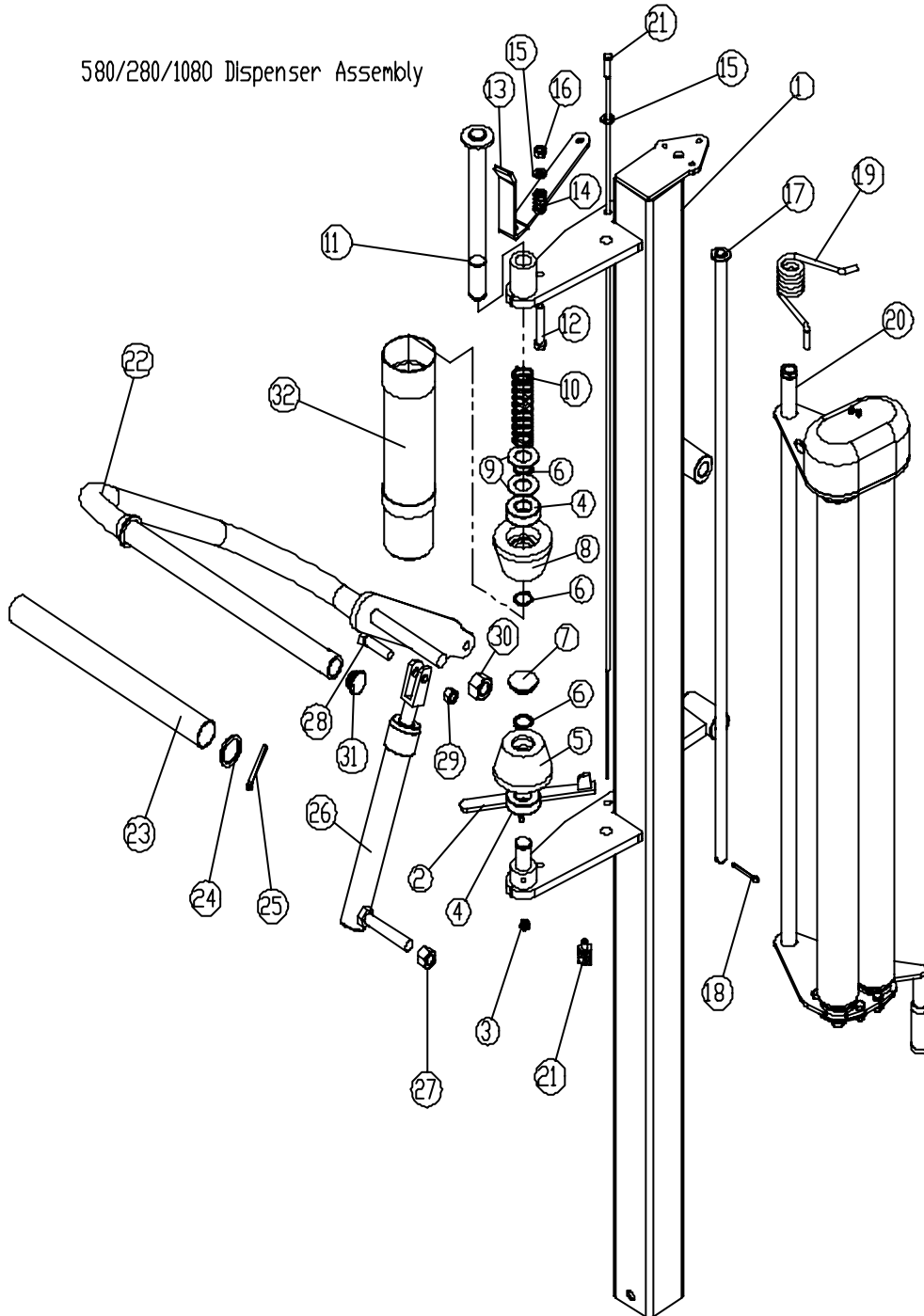




Tanco Autowrap 280
Spare parts list



5.1.1 Dispenser Mast Assembly





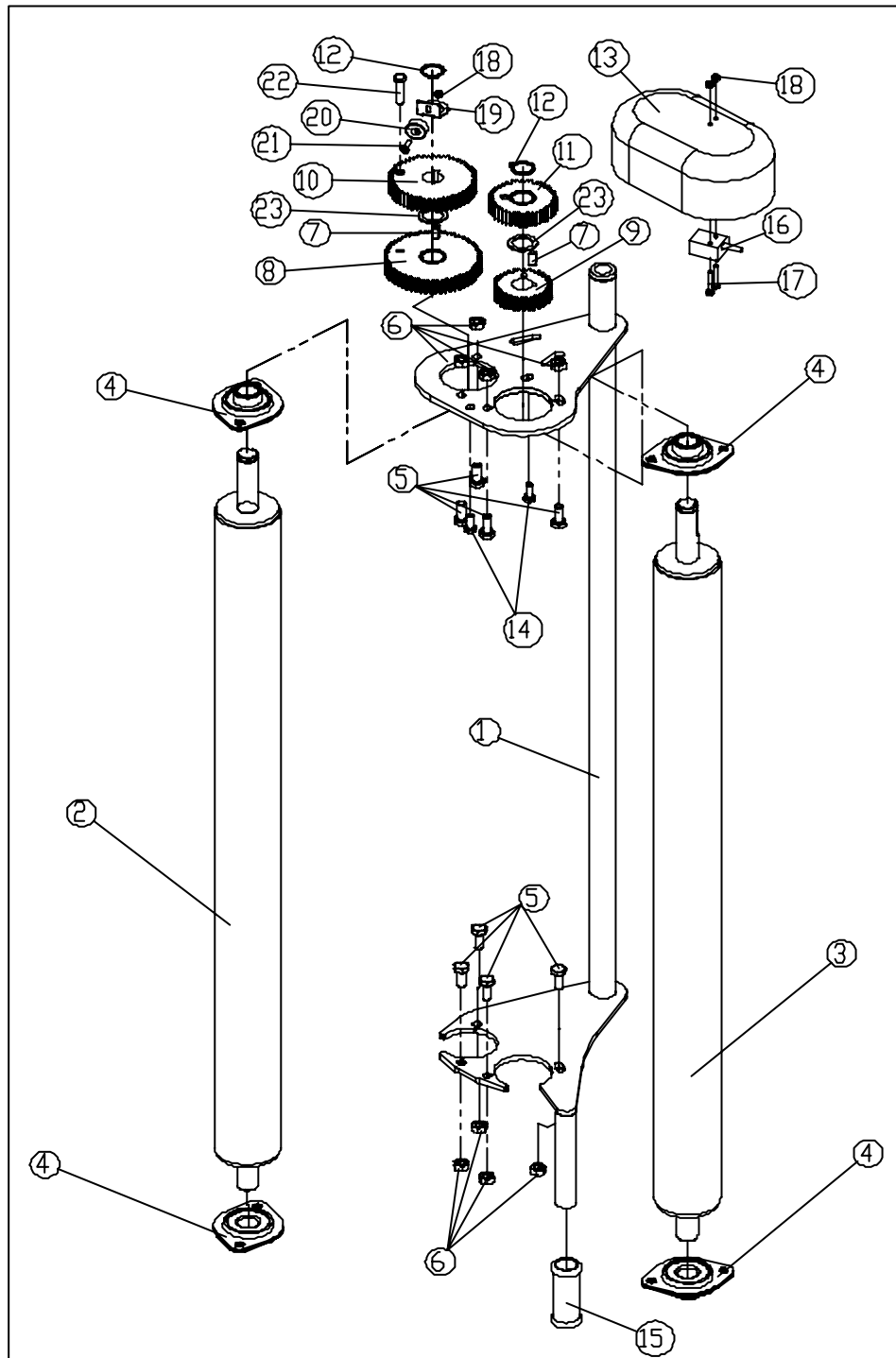
5.1.2 Dispenser parts list

ITEM	PART NO.	QUANTITY	DESCRIPTION
1	WD90-DM	1	Dispenser mast frame
2	1305010	1	Bottom latch
3	Z23-08	1	M.8 Locknut
4	1305015	2	Bearing
5	1305016	1	Bottom cone
6	1305017	3	Cir-clip 25 mm
7	1305018	1	Plastic cap 1 1/4"
8	1305019	1	Upper cone
9	1305020	2	25mm dia. flat washer
10	1305021	1	Spring
11	1305022	1	Top shaft
12	Z26-067B	1	M10 x 60 Hex bolt
13	WD13-006	1	Top latch
14	1305027	1	Spring
15	Z11-02-11	2	M 10 flat washer
16	Z23-10	1	M.10 Locknut
17	1305030	1	Pivot pin
18	1305033	1	Split pin
19	1305034	1	Torsional spring
20	1205100	1	TW Insert
21	Z003-1200	1	Latch release wire kit
22	WD617-FPDA	1	Film Pull down arm assembly
23	WD60-866	1	Plastic Roller
24	WD60-859	1	Retaining washer
25	Z01-23-29	1	1/4" x 2" Split pin
26	Z01-01-AW25	1	Hydraulic Ram (pull down)
27	Z23-16	1	M16 Locknut
28	Z26-086S	1	M12 x 50 Bolt
29	Z23-12	1	M12 Locknut
30	Z23-20	1	M 20 Locknut
31	Z32-14	1	1" G.B plastic cap
32*	WD60-FA	1	500 mm Film adaptor

* indicates optional equipment



5.2.1. TW Dispenser insert





5.2.2 TW Dispenser insert Parts list

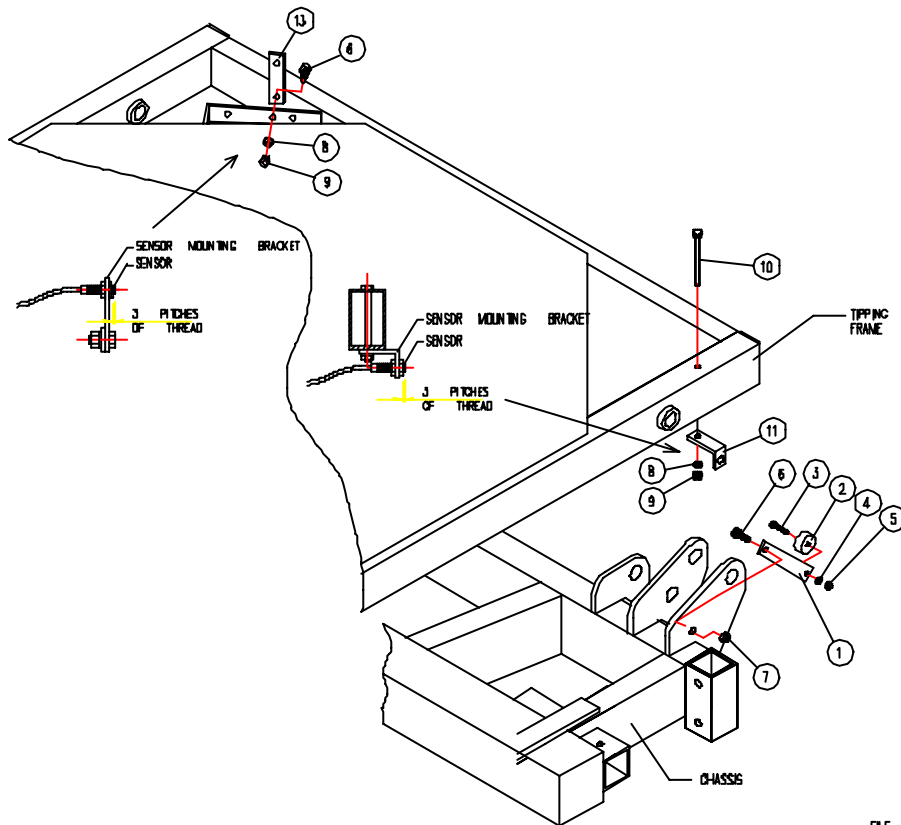
ITEM	PART NO.	QUANTITY	DESCRIPTION	Dimension
1	1205100	1	TW insert complete	
	1205101	1	TW Insert Frame	
2	1305120	1	Inner Roller	
3	1305121	1	Outer Roller	
4	1305122	4	Bearing	RHP SLF20A
5	Z26-039S	8	M8 * 20 Bolt	
6	Z23-08	8	M8 Locknut	
7	1305123	2	6 mm square key steel	15 mm long
8	1305101	1	60 t gear	16 mm
9	1305102	1	35 t gear	16 mm
10	1305105	1	54 t gear	16 mm
11	1305106	1	41 t gear	16 mm
10*	1305103		58 t Gear	16 mm
11*	1305104		37 t Gear	16 mm
12	1305124	2	20 mm external cir-clip	
13a	1305125	1	Dispenser gearbox cover	
13b**	1305126	1	Dispenser gearbox cover	(c/w holes)
14	Z26-018S	2	M6 * 16 mm bolt	
15	Z32-16	1	Plastic hand grip	
16**	D606C-SS1	1	Film break Sensor	
17**	Z13-4-04x25	2	M4 x 25 Allen head	
18**	Z23-04	3	M4 lock nut	
19**	WD404-052	1	Magnet mounting bracket	
20**	D606C-SM1	1	Magnet	
21**	Z13-125	1	M4 x 20 countersunk screw	
22	Z26-0225	1	M6 x 30 bolt	
23	1305115	2	Copper Washer between gears	
*	Optional 55% Stretch Gears			
**	Optional Film Break Sensor			

N.B. The 1080 model is fitted with 55% stretch gears in position 5 & 6



6.1. SENSOR AND MAGNET MOUNTING BRACKETS

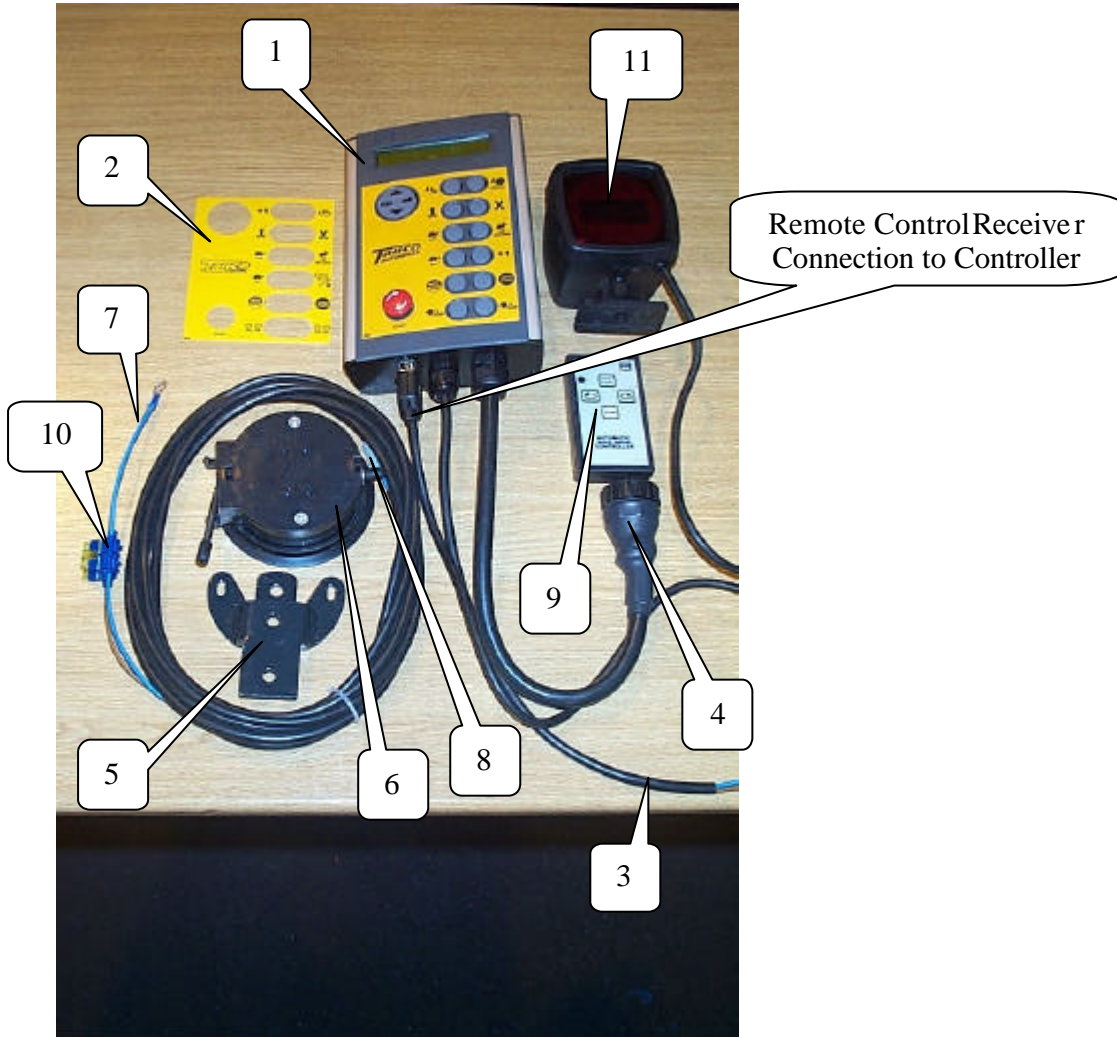
ITEM No.	DESCRIPTION	QTY	PART No.
1.	Magnet Mounting Bracket	1	WD605-165
2.	Magnet	1	ZD605-200
3.	M6 x 30 Hex Set	1	Z26-022S
4.	6mm Flat Washer	2	Z12-02-06
5.	M6 Locknut	2	Z23-06
6.	M8 x 25 Hex Set	2	Z26-40S
7.	M8 Locknut	1	Z23-08
8.	8mm Spring Washer	2	Z12-02-08
9.	M8 Hex Nut	2	Z18-08
10.	M8 x 100 Hex Set	1	Z26-057S
11.	Sensor Mounting Bracket	1	WD608-58
12.	Sensor Mounting Flat	1	WD605-164



FILE NAME: VD80 - PL29



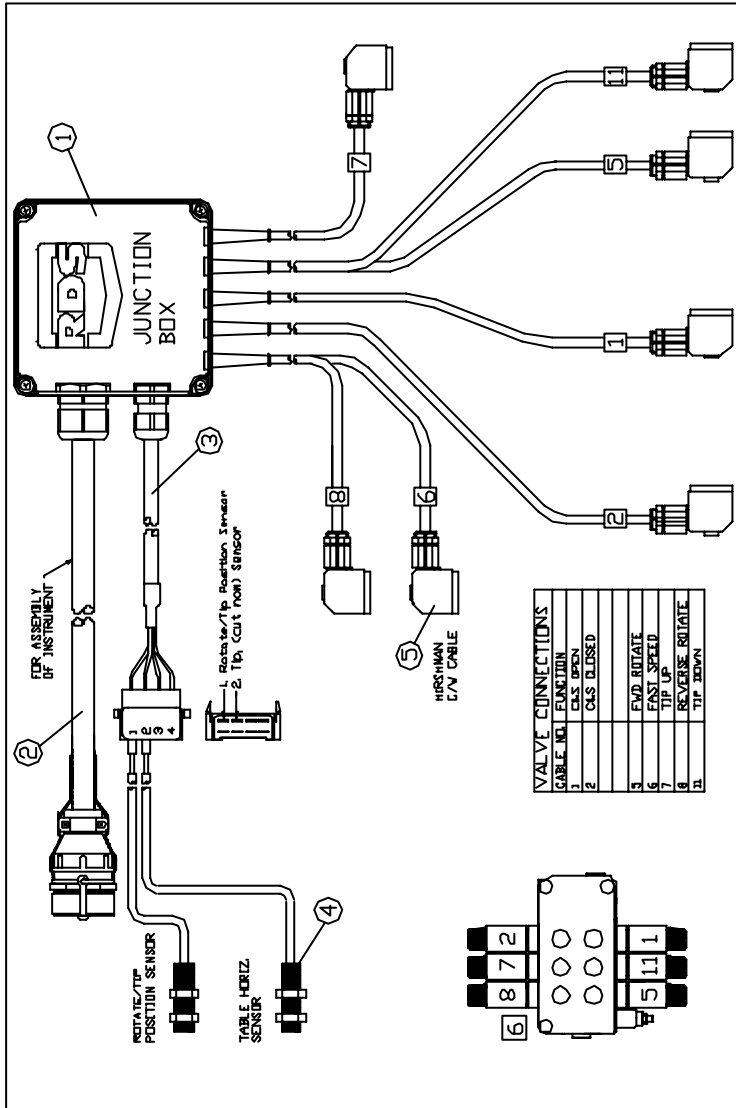
6.2. 280ARC Controller



ITEM	PART NO.	QUANTITY	DESCRIPTION
1	1209002	1	TW Control Unit
2	1209001		TW Faceplate RDS
3	1309009	1	2 pin connector Female + 2 spade pins
4	1309008	1	24 pin socket
5	1309009	1	Controller mounting bracket EH
6	1309012	1	Controller suction cup
7	1309007		Battery Cable (3m)
8	1309010		2 pin connector male + 2 female pins
9	1109002	1	Remote Control Sender Unit
10	ZD606-100	2	Fuse 20A
11	1109003	1	RDS Remote Control Receiver Unit



6.3 280ARC JUNCTION BOX



ITEM NO.	QTY.	PART NO.	DESCRIPTION
1	1	1009001	Junction Box Complete
2	1	1309003	Communication Cable
3	1	1009003	Sensor Cable
4	2	1009002	Sensor (3m)
5	7	1309005	Hirschmann, c/w Cable & gland